



**DO YOU HAVE THE TOUCH**

*Eccellenza*™  
touch™

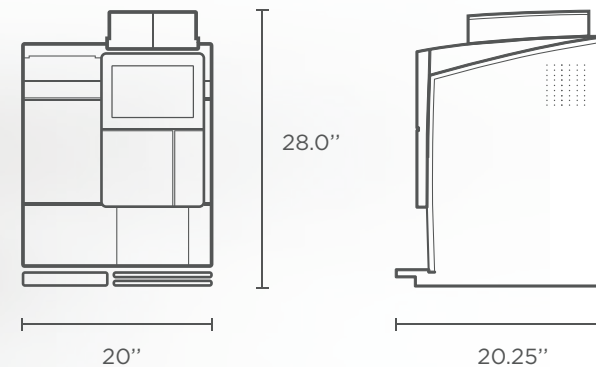
**ORDER YOURS TODAY!**





## THE NEW *Eccellenza touch*™

- Revolutionary New Brewing System
- 2 Coffee Bean Dispensers
- 3 Soluble Powder Dispensers
- Easy Set-Up & Configuration
- Low Maintenance Requirements
- Wireless Capabilities
- External access (no dedicated caretaker)
- Counter footprint is considerably smaller (28.0" H x 20.0" W x 20.25" D)





## 10,1" TOUCH SCREEN

Intuitive selection process and can be use for advertising or communication



## WIFI INTERFACE

Remote access to equipment data and statis



## USAGE DATA AT YOUR FINGERTIPS

Complete & accurate system diagnostics



## LARGE BEVERAGE VARIETIES

12 Selections (light and dark coffee)  
18 Selections (dark and decaf coffee)  
Hot water  
3 Strengths and 3 cups sizes

TRY ONLINE

[eccellenzatouch.com](http://eccellenzatouch.com)  
[vki.tornadoapplications.com](http://vki.tornadoapplications.com)

## TECHNICAL SPECIFICATIONS

### CAPACITY OF DISPENSERS

2	Coffee bean dispensers	2.25 lbs each	* Can also be configured to 3 and 1.5 lbs
3	Powder dispensers	2.25 lbs each	

### DIMENSIONS

Coffee maker dimensions	28.0" H x 20.0" W x 20.25" D
Installation requirement	34.5" H x 22.0" W x 22.5" D
LCD Screen	10.1" (Diagonal)
Cup sizes	8-oz, 10-oz, 12-oz
Coffee maker weight (empty)	79.2 lbs
Voltage rating	120 Volts AC, 60 Hz, 15AMPS, NEMA5-15 Cord
Wattage	1440 Watts
Water supply	1/4 Male Flare Fitting
Certifications/Listings	ETL (UL, CSA)

### OPTIONS

- Waster Chute Kit

\*Technical specifications are subject to change without prior notice.